

## 850nm Multi-Mode High Power Circulator

### Features

- Low Insertion Loss
- High Return Loss
- High Isolation
- High Stability & Reliability

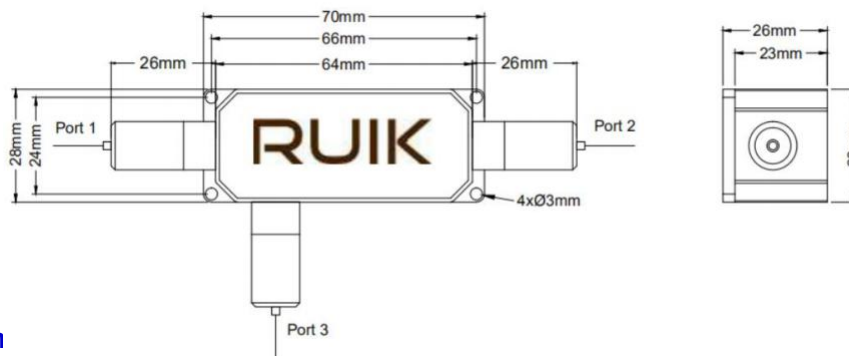
### Applications

- Fiber Amplifier
- Testing Instrument
- Fiber Sensor
- Medical Equipment

### Specifications

Parameters	Unit	Value
Center Wavelength	nm	850
Operating Wavelength Range	nm	±10
Typ. Peak Isolation	dB	23
Max. Isolation at 23°C	dB	20
Typ. Insertion Loss at 23°C	dB	1.3
Max. Insertion Loss at 23°C	dB	1.5
Max. Polarization Dependent Loss at 23°C, only for PI	dB	0.15
Min. Return Loss(Input/ Output)	dB	35
Min. Cross Talk	dB	35
Max. Average Optical Power	W	Total: 10 (Including Port 1 & Port 2)
Max. Peak Power for ns Pulse	kW	10
Max. Tensile Load	N	5
Package Dimension	mm	70x28x26
Operating Temperature	°C	+10~+50
Storage Temperature	°C	0~+60

### Package Dimensions



### Ordering Inform

MMHPCIR-1111-234-5-6-77

111-Center Wavelength:	850=850nm
2-Axis Alignment for PM:	F N=No axis
3-Fiber Type:	0=MM50/125 fiber,S=Specified
4-Pigtail Type:	0=250µm bare fiber, 1=900µm loose tube
5-Fiber Length:	0=0.8m, 1=1m
6-Package Dimension:	0=70x28x26mm, S=Specified
77-Handling Power:	00=500mW, 01=1W, 02=2W,....., 05=5W, 10=10W